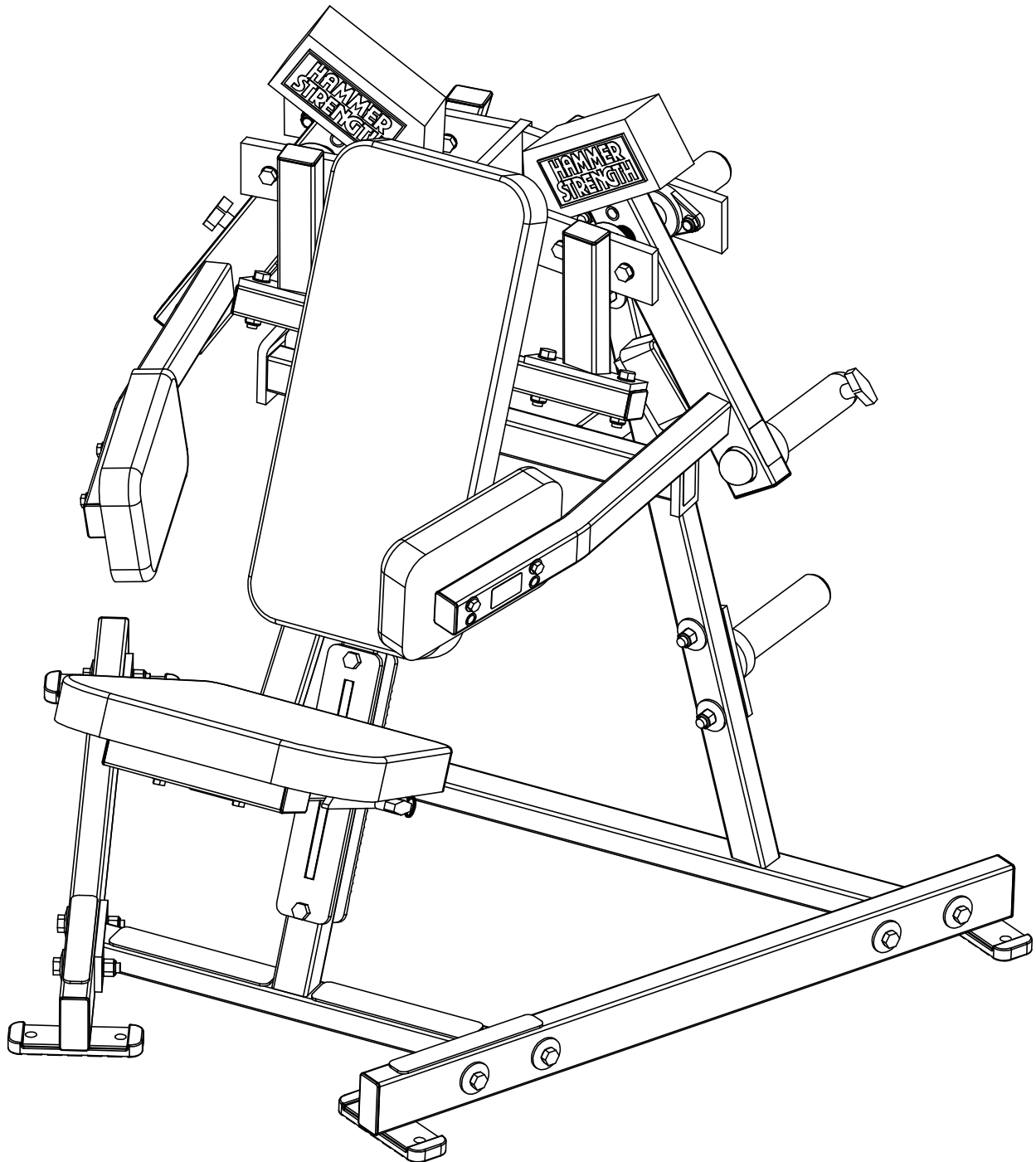


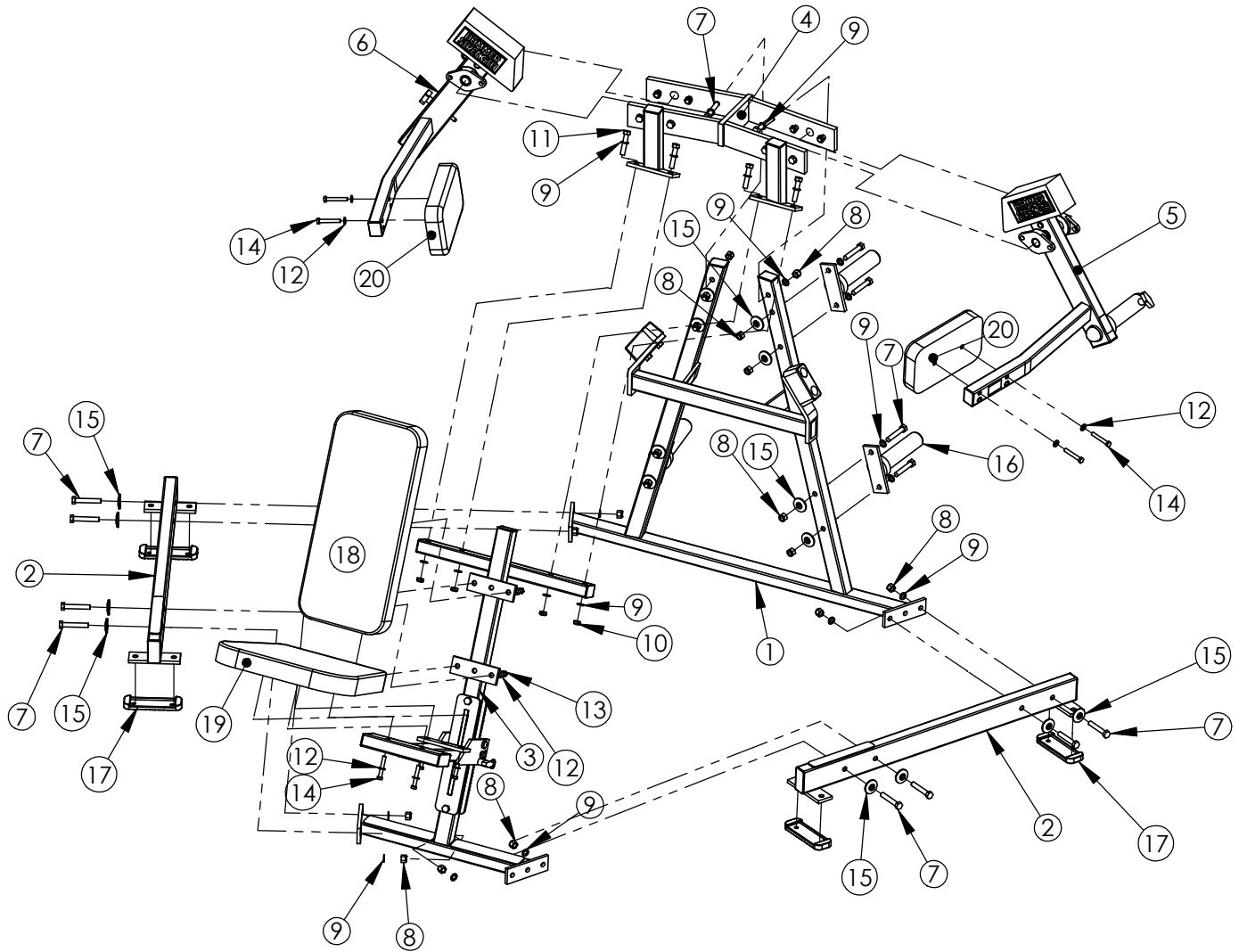
**HAMMER STRENGTH EQUIPMENT
PLLR - PLATE LOADED LATERAL RAISE**

Rev: C02



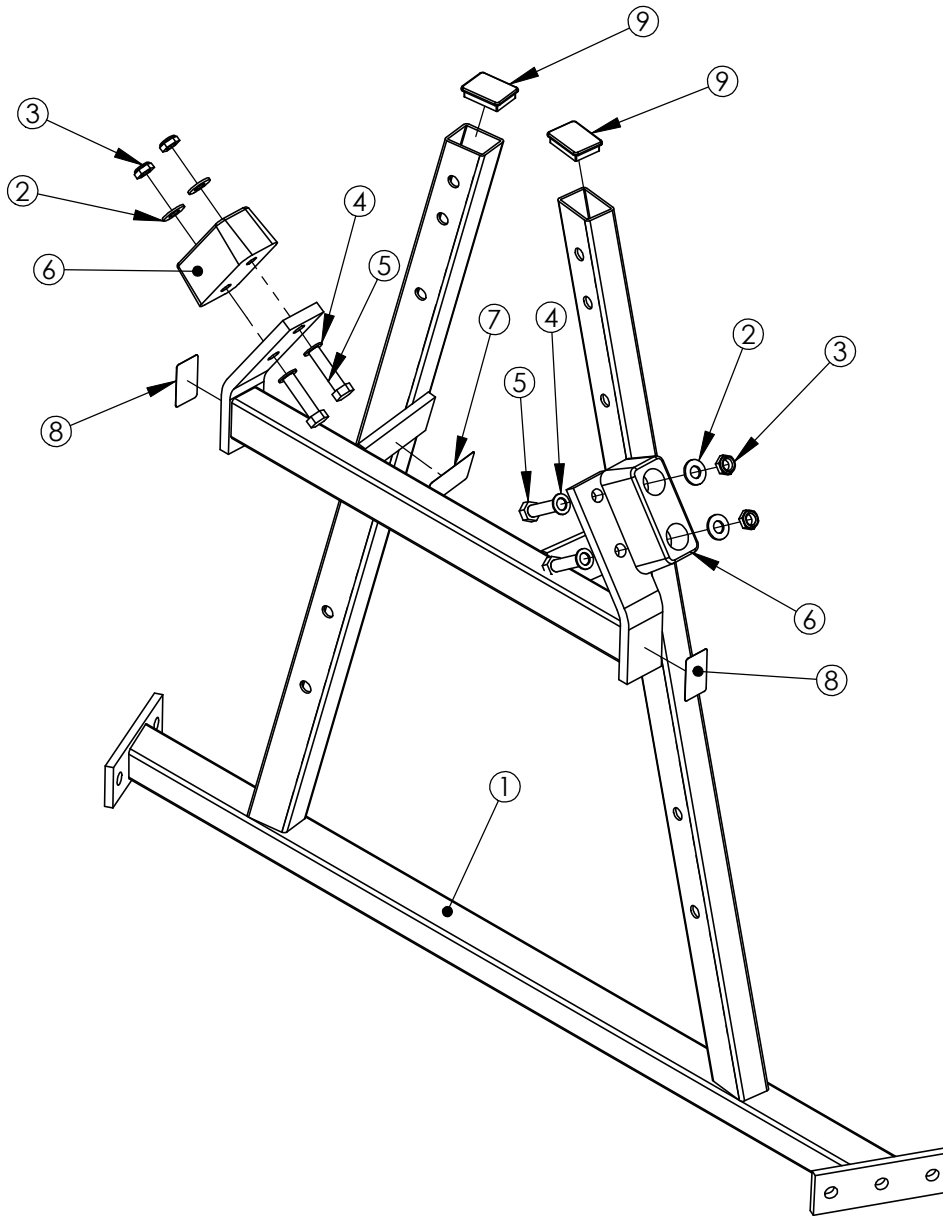
WEIGHT = 265.6 lbs / 120.7 kg
LENGTH = 42
WIDTH = 56
HEIGHT = 50

HAMMER STRENGTH EQUIPMENT PLLR EXPLODED



ITEM NO.	QTY.	PART NO.	DESCRIPTION
1	1	PLL-CBX-1	ASSY, PLLR, BACK FRAME
2	2	PLL-CFX-0	ASSY, PLLR, FOOT FRAME
3	1	PLL-CST-0	ASSY, PLLR, SEAT FRAME
4	1	PLL-CWB-0	ASSY, PLLR, WORKBOX
5	1	PLL-CMAL-2	ASSY, PLLR, LEFT MARM
6	1	PLL-CMAR-2	ASSY, PLLR, RIGHT MARM
7	18	HHB.5X3	1/2 X 3 BOLT
8	18	NUT.5LOCK	1/2 DIA THICK LOCK NUT
9	28	WASH.5STAR	1/2" INTERNAL LOCK WASHER
10	4	NUT.5JAMLOCK	1/2 THIN LOCK NUT
11	4	HHB.5X2.5	1/2 X 2 1/2 BOLT
12	12	WASH.375SAE	3/8" SAE FLAT WASHER
13	6	HHB.375X1.5	STEEL BOLT 3/8 X 1.5
14	6	HHB.375X2.5	STEEL BOLT 3/8 X 2.5
15	16	H-BACK-WASH	BACKING WASHER
16	3	H-HORN-ASSY	ASSY, WEIGHT HORN
17	4	MM-8	2 X 6 FLANGE RUBBER SLIPPER
18	1	U-16-11	16X11 PAD
19	1	U-24-10	24X10 PAD
20	2	U-10-4.5H-NC	PAD, 10-4.5

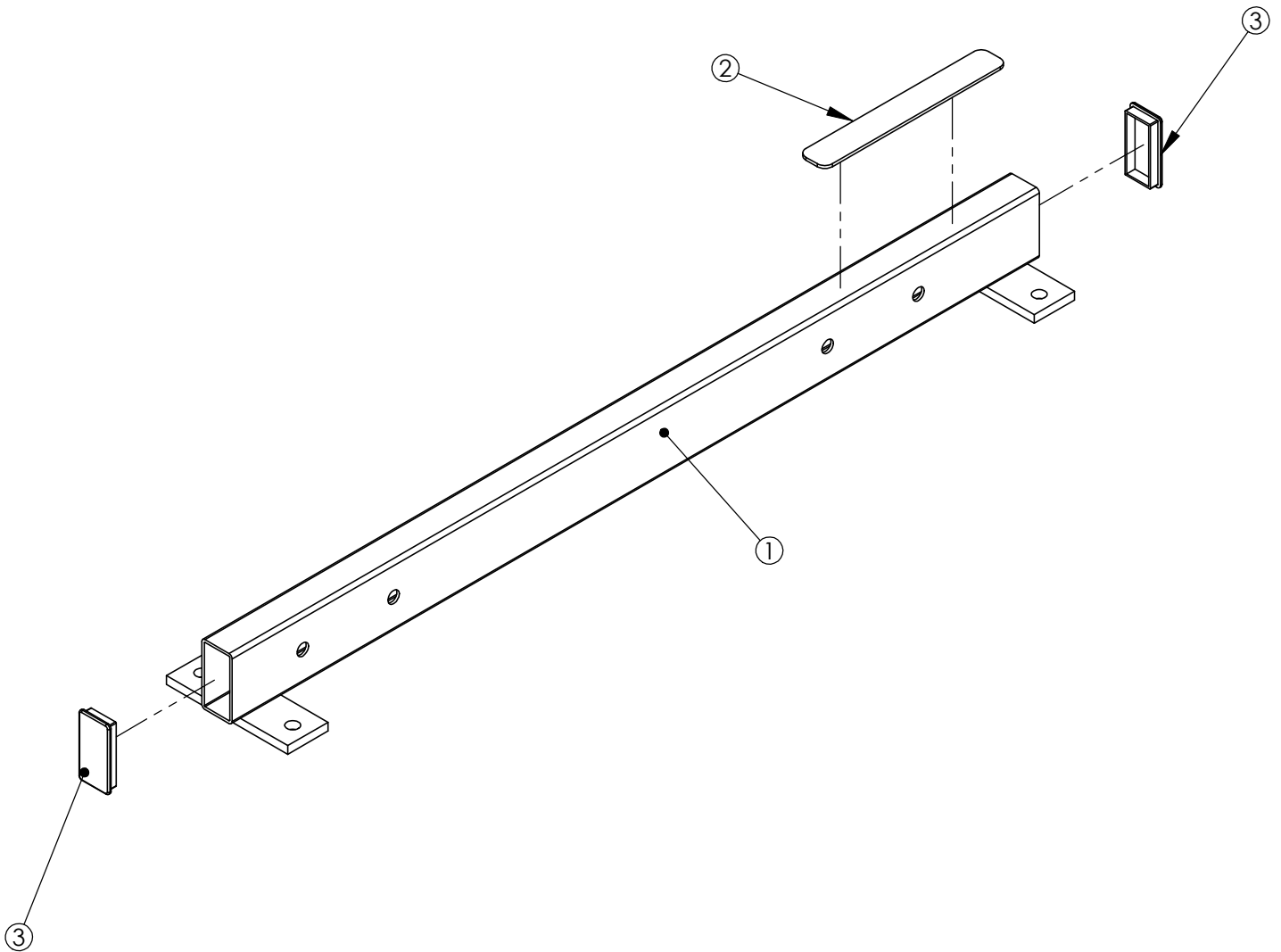
**HAMMER STRENGTH EQUIPMENT
 PLLR-CBX-1, ASSY, PLLR, BACK FRAME**



ITEM NO.	QTY.	PART NO.	DESCRIPTION
1	1	PLLR-BX-0	WLDMT, PLLR, BACK FRAME
2	4	WASH.5SAE	1/2" SAE FLAT WASHER
3	4	NUT.5JAMLOCK	1/2 THIN LOCK NUT
4	4	WASH.5STAR	1/2" INTERNAL LOCK WASHER
5	4	HHB.5X2	1/2 X 2 BOLT
6	2	H-BUMP-MED	MM2 MEDIUM
7	1	PATENT	PATENT DECAL
8	2	STAY CLEAR	STAY CLEAR DECAL
9	2	RC1520-1Q1	CAP:1-1/2 X 2 RECTANGLE PLUG

WEIGHT = 42lbs / 19kg
 LENGTH = 47
 WIDTH = 8
 HEIGHT = 42

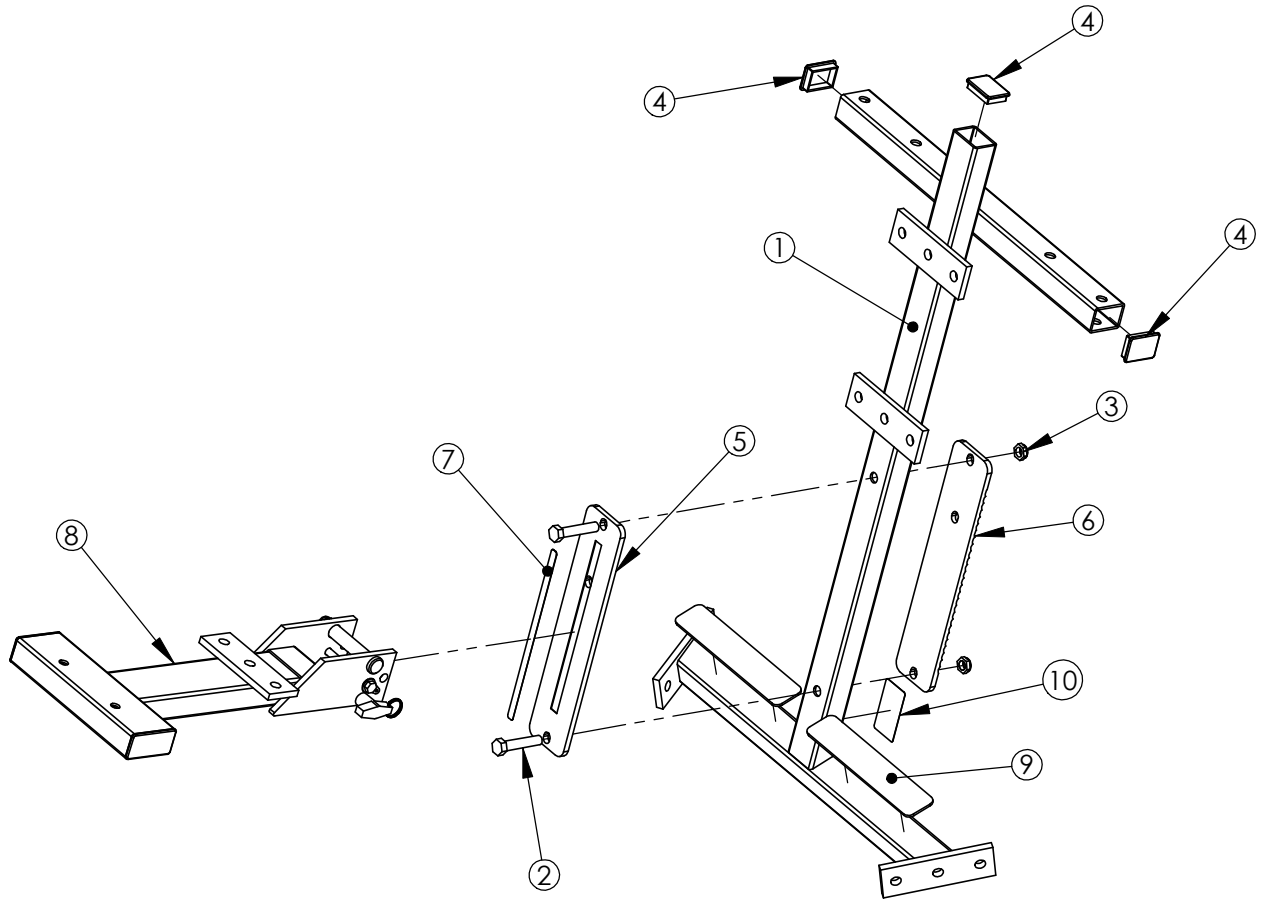
HAMMER STRENGTH EQUIPMENT
PLLR-CFX-0, ASSY, PLLR, FOOT FRAME



ITEM NO.	QTY.	PART NO.	DESCRIPTION
1	1	PLLR-FX-0	WLDMT, PLLR, FOOT FRAME
2	1	NONSKID 1 X 9	PLASTIC NON SKID STRIP 1 X 9
3	2	RC1530-1Q1	CAP:1-1/2 X 3 RECTANGLE PLUG

WEIGHT = 14lbs / 6.5kg
 LENGTH = 41
 WIDTH = 6
 HEIGHT = 4

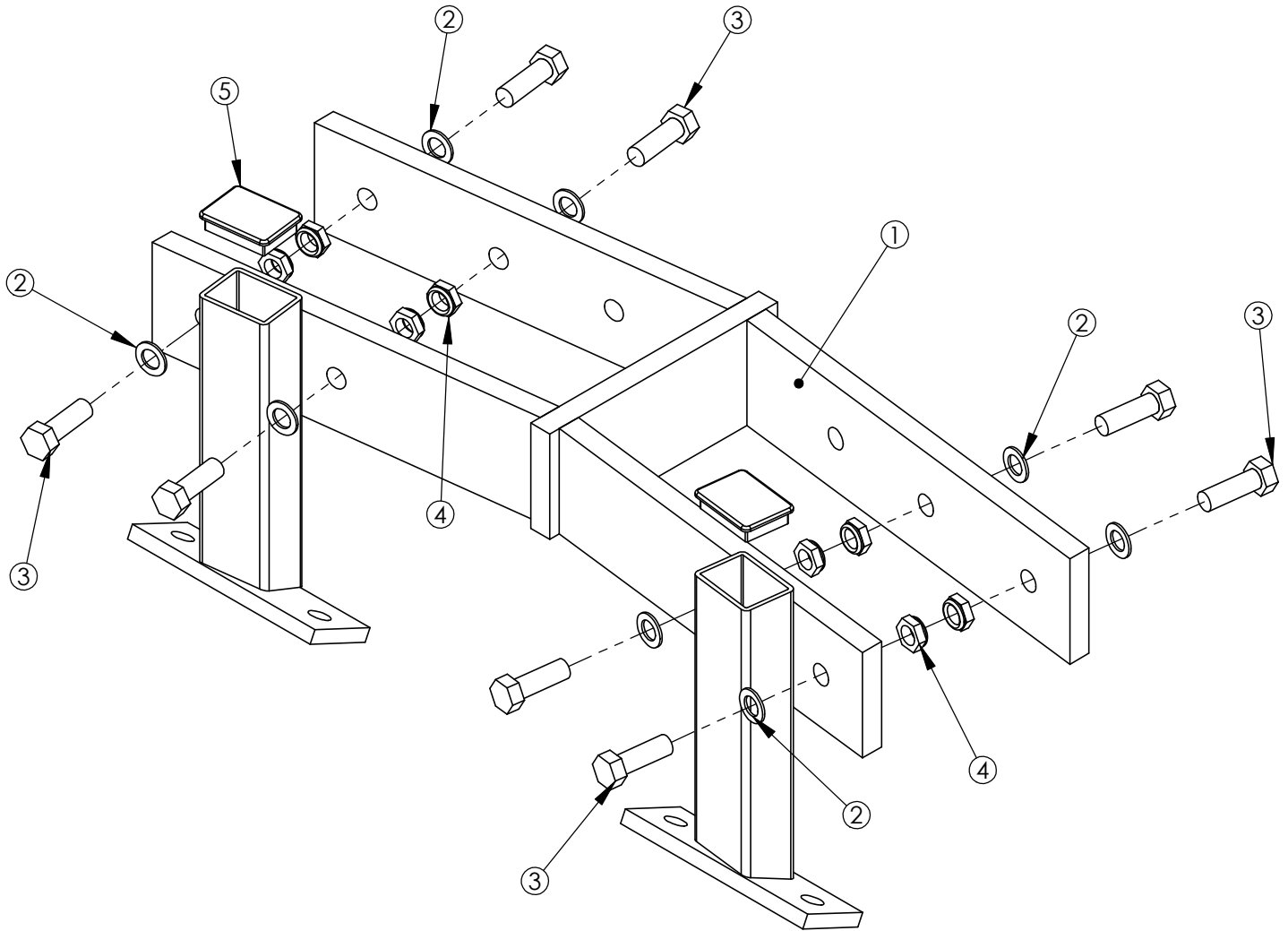
**HAMMER STRENGTH EQUIPMENT
 PLLR-CST-0, ASSY, PLLR, SEAT FRAME**



ITEM NO.	QTY.	PART NO.	DESCRIPTION
1	1	PLLR-ST-0	WLDMT, PLLR, SEAT FRAME
2	2	HHB.5X2.5	1/2 X 2 1/2 BOLT
3	2	NUT.5JAMLOCK	1/2 THIN LOCK NUT
4	3	RC1520-1Q1	CAP:1-1/2 X 2 RECTANGLE PLUG
5	1	H-SEATRCKS-N	PLASTIC SEAT GUIDES (PP229) NEW)
6	1	H-SEATRCKS-RIB	SEATRACK BACK
7	1	SEAT NUMBER	SEAT ADJ. NUMBER
8	1	CSTD-ST2-1	ASSY, STANDARD SEAT 2
9	2	H-NONSKID 2X9	PLASTIC NON SKID STRIP 2 X 9
10	1	SERIAL NUMBER	SERIAL NUMBER

WEIGHT = 35lbs / 16kg
 LENGTH = 40
 WIDTH = 25
 HEIGHT = 20

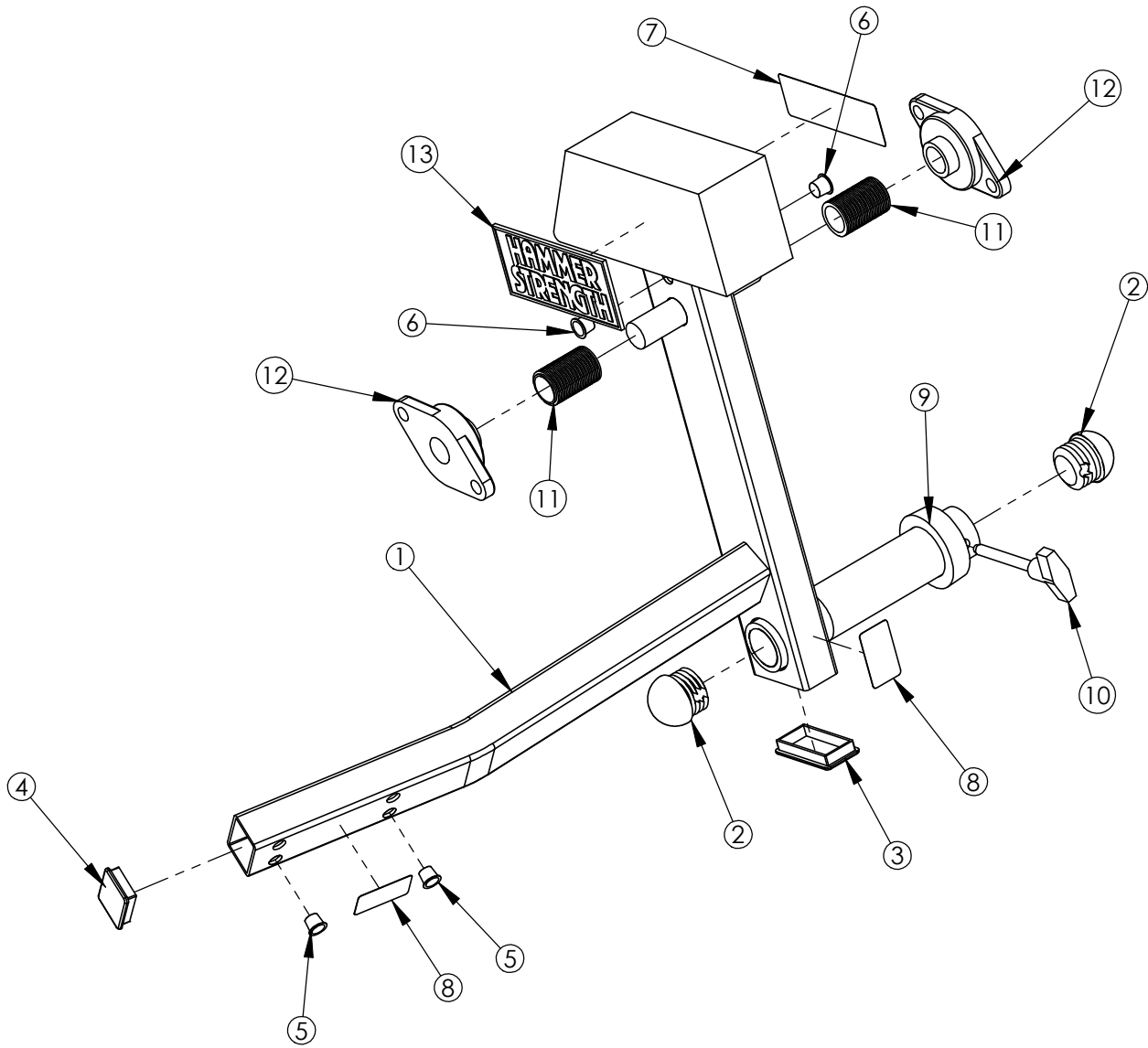
**HAMMER STRENGTH EQUIPMENT
 PLLR-CWB-0, ASSY, PLLR, WORKBOX**



ITEM NO.	QTY.	PART NO.	DESCRIPTION
1	1	PLLR-WB-0	WLDMT, PLLR, WORKBOX
2	8	WASH.5STAR	1/2" INTERNAL LOCK WASHER
3	8	HHB.5X1.5	BOLT, HEX HEAD 1/2 X 1-1/2
4	8	NUT.5JAMLOCK	1/2 THIN LOCK NUT
5	2	RC1520-1Q1	CAP:1-1/2 X 2 RECTANGLE PLUG

WEIGHT = 36lbs / 16.5kg
 LENGTH = 25
 WIDTH = 10
 HEIGHT = 9

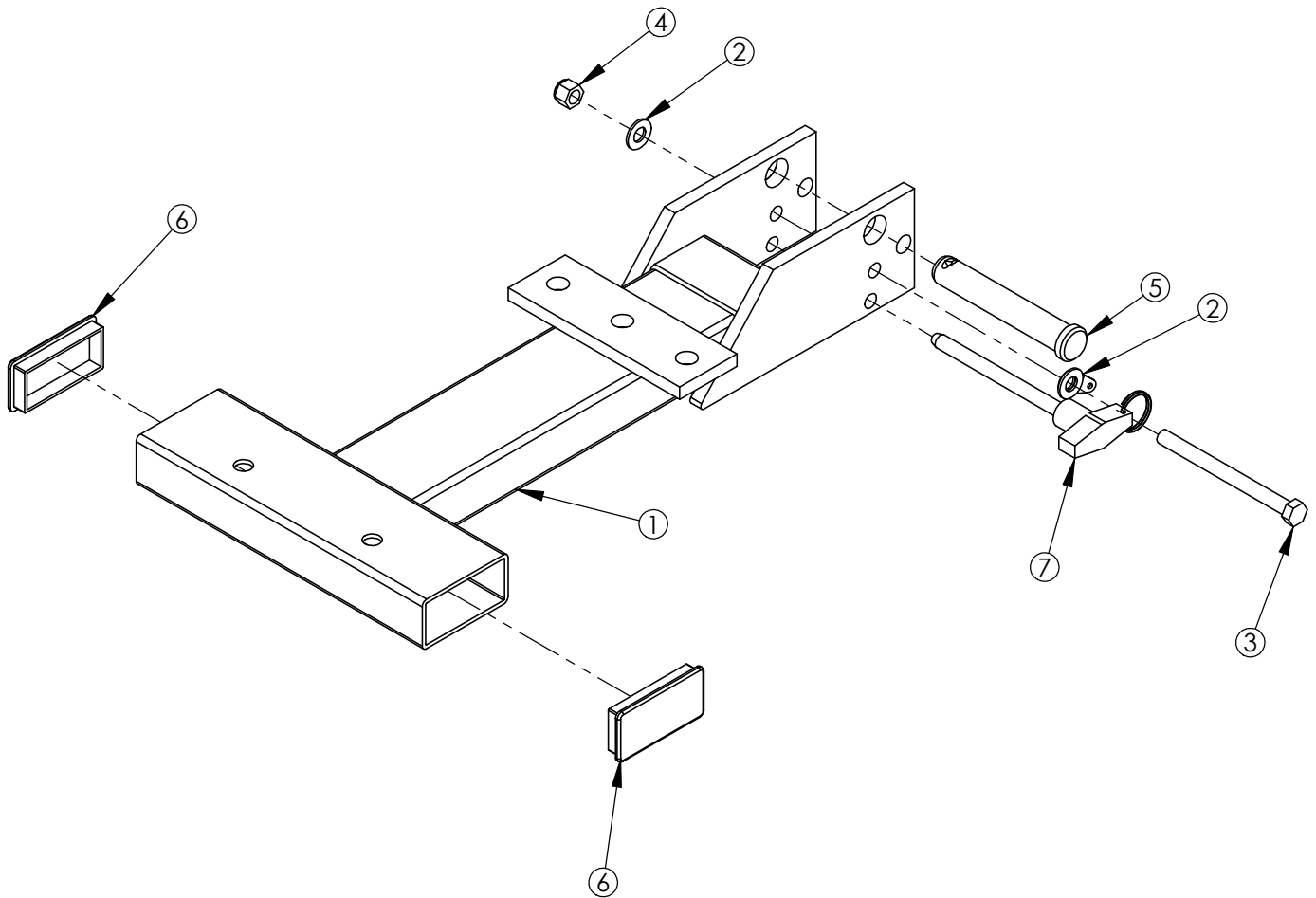
**HAMMER STRENGTH EQUIPMENT
 PLLR-CMAL-2, ASSY, PLLR, LEFT MARM**



ITEM NO.	QTY.	PART NO.	DESCRIPTION
1	1	PLLR-MAL-1	WLDMT, PLLR, LEFT MARM
2	2	RUBCAP1-2	RUBBER CAP #1
3	1	RC1530-1Q1	CAP:1-1/2 X 3 RECTANGLE PLUG
4	1	RC1520-1Q1	CAP:1-1/2 X 2 RECTANGLE PLUG
5	2	H-HPLUG (SMALL)	1/2 HOLE PLUG
6	2	H-HPLUG (REG)	9/16IN HOLE PLUG
7	1	ISO LATERAL RAISE	PRODUCT DECAL
8	2	STAY CLEAR	STAY CLEAR DECAL
9	1	H-RUBRNG	MM5 RING
10	1	SELECTOR PIN-3	SELECTOR PIN 3 IN.
11	2	ACCORDIAN	SHAFT GUARD
12	2	H-BEAR-SML	SMALL BEARING
13	1	H-NAME PLATE	NAMEPLATE (45156-P)

WEIGHT = 44.3 2lbs / 20.1 kg
 LENGTH = 30
 WIDTH = 10
 HEIGHT = 22

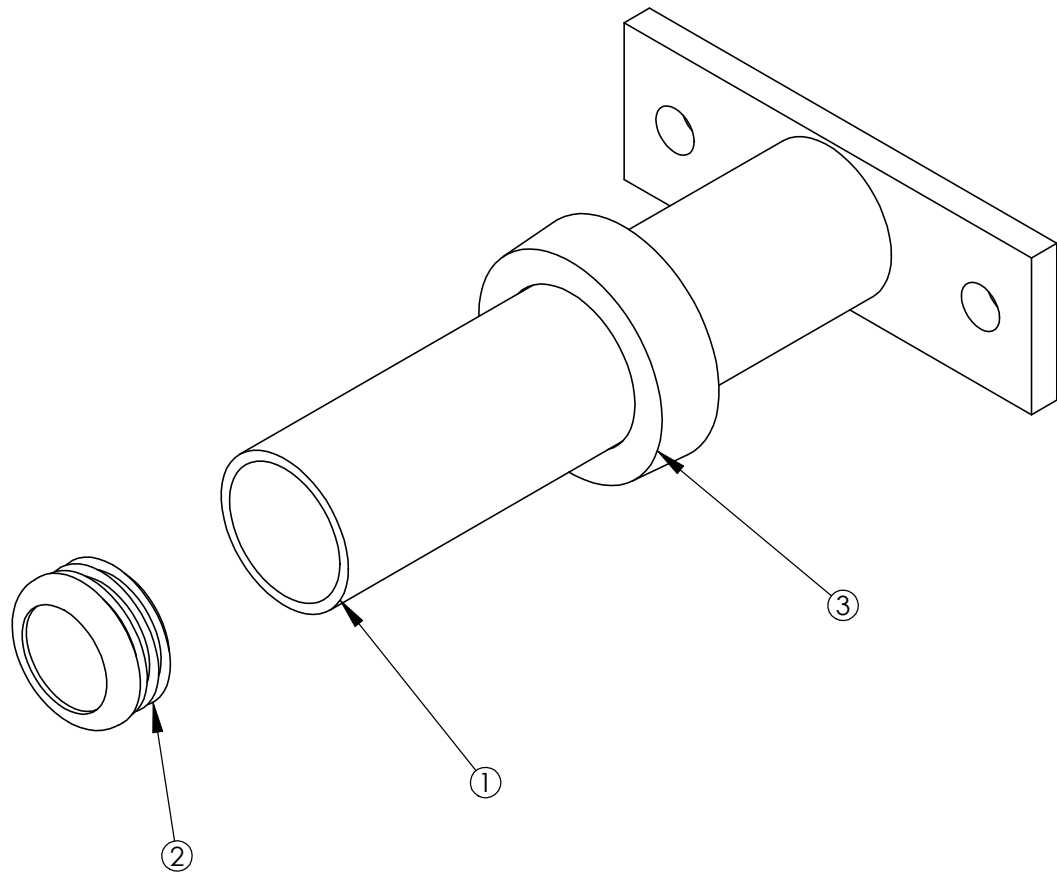
HAMMER STRENGTH EQUIPMENT
CSTD-ST2-1: ASSY, STANDARD SEAT 2



ITEM NO.	QTY.	PART NO.	DESCRIPTION
1	1	STD-ST2	Standard Seat #2
2	2	WASH.375SAE	3/8" SAE FLAT WASHER
3	1	HHB.375X4.5	STEEL BOLT 3/8 X 4.5
4	1	NUT.375LOCK	3/8 THICK LOCK NUT
5	1	STD SEAT PIN	LONG SEAT PIN (HDADJ)
6	2	RC1530-1Q1	CAP:1-1/2 X 3 RECTANGLE PLUG
7	1	SELECTPIN	ASSY, STD SEAT SELECTOR PIN

WEIGHT = 13 lb
 LENGTH = 20 1/2"
 WIDTH = 10 1/4"
 HEIGHT = 3"

HAMMER STRENGTH EQUIPMENT
H-HORN-ASSY: WEIGHT HORN ASSEMBLY



ITEM NO.	QTY.	PART NO.	DESCRIPTION
1	1	H-HORN	WLDMT, WEIGHT HORN
2	1	8078001	CAP, END 1.75 DIA RD 14-20 GA
3	1	H-RUBRNG	MM5 RING

WEIGHT = 3 1/4 lb
 LENGTH = 8 5/8"
 WIDTH = 6"
 HEIGHT = 3"